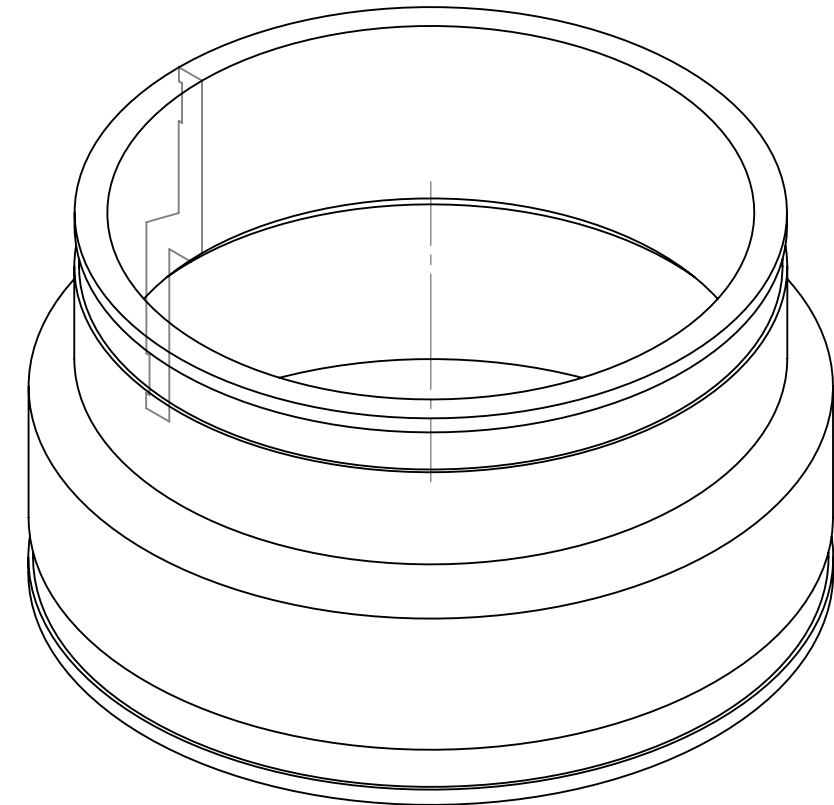


\*This part requires two clamps, part numbers 152-300 and 164-300. See additional drawings for information on these clamps.



300 S. DAYTON ST.  
DAVISON, MI 48423  
PH: 810-653-9626  
FAX: 810-654-2616

Part Weight	3.98 lbs.
Min/Max Temp.	-30/140 Degrees F
Pressure Tested	4.3 PSI
Material	Flexible PVC
Installation Torque	60" Lbs.
Conforms to ASTM	D5926, C1173
Box Quantity	10
Clamps used	300 Series

TOLERANCES:  
.X= Fractional ±  
.XX= ±.02  
.XXX= ±.030  
ANG.= ±0.5°  
UNLESS OTHERWISE SPECIFIED

UNITS: INCHES  
SIZE: **A**  
3RD ANGLE PROJECTION  
DO NOT SCALE DRAWING

DESCRIPTION: Coupling 8" Clay x 8" PVC	
1002-88	
DESIGNER: <b>D. Brady</b>	SCALE not to scale
CHECKER:	DATE: 10/12/2007
SHEET 1 OF 1	

NOTES:  
-SOME HIDDEN LINES NOT SHOWN  
-BREAK ALL SHARP CORNERS  
-REPORT ALL CHANGES TO ENGINEERING

**PROPRIETARY AND CONFIDENTIAL**  
THE INFORMATION CONTAINED IN THIS DRAWING IS THE SOLE PROPERTY OF FERNCO, INC. ANY REPRODUCTION IN PART OR AS A WHOLE WITHOUT THE WRITTEN PERMISSION OF FERNCO, INC. IS PROHIBITED.